



HP DesignJet Rugged Case¹

Ruggedize your device

Delivering added protection in rough, dusty environments, the HP DesignJet Rugged Case¹ helps ensure your printer is ready wherever you need it



The HP DesignJet Rugged Case is best suited for industries where dust and damage is a threat, including construction, mining, oil & gas, and others.

SAFEGUARD during transport

When moving your printer from the office to another location, **the rugged case protects it from scratches, bumps, and other in-transit accidents.**

PROTECT on location

When moving the printer in locations with rough and irregular terrain, **large, rugged wheels on the case provide stability and traction for safe, easy mobility.**

SECURE during usage

When using the printer with the rugged case on, you'll find it incredibly easy to open and close. **Protect the device from dust and water with the case closed; safeguard against hits and bumps even when it's open.**

For more information, please visit
hp.com/go/designjetT830
hp.com/go/designjetT730



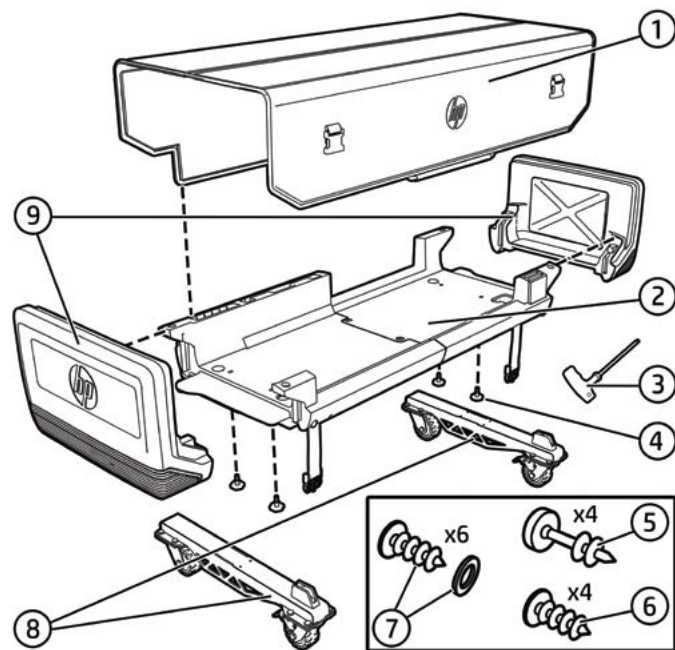
HP DesignJet
 25 years reinventing design

Technical specifications

Shipping dimensions (w x d x h)	1542 x 565 x 639 mm (60.7 x 22.2 x 25.2 in)
Shipping weight	38 kg (83.8 lb)
What's in the box	Fabric cover, printer support, screwdriver, screw-in knobs, screws and washers, wheeled feet, lateral supports, setup guide
Warranty	90 days, replacement

Ordering information

Product	N9M07A	HP DesignJet Rugged Case
	T5D66A	HP DesignJet T730 with Rugged Case Only available in AMS
	T5D67A	HP DesignJet T830 MFP with Rugged Case Only available in AMS



1. Rugged Case fabric cover
2. Rugged Case printer support
3. Screwdriver
4. screw-in knobs should be capitalized to be consistent
5. Tor screw (45mm long)
6. Tor screw (35mm long)
7. Screws and washers
8. Wheeled foot
9. Rugged Case lateral support

Est. 1991
DESIGNSUPPLY
 supporting creativity

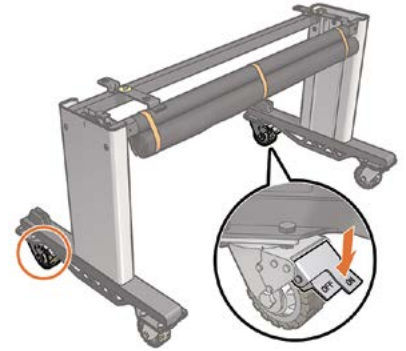
0800 018 23 23

sales@designsupply.com

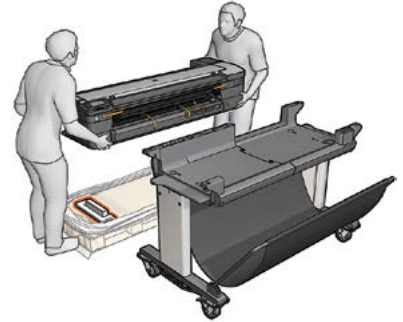
© Copyright 2016 HP Development Company, L.P. The information contained herein is subject to change without notice. The only warranties for HP products and services are set forth in the express warranty statements accompanying such products and services. Nothing herein should be construed as constituting an additional warranty. HP shall not be liable for technical or editorial errors or omissions contained herein.

Assembly

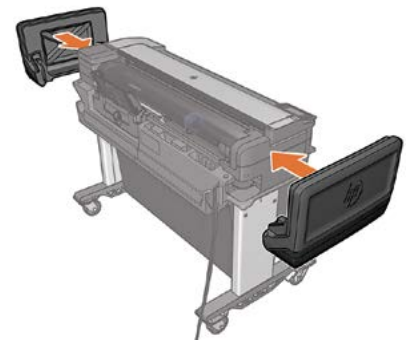
BASE



PRINTER



LATERAL



FABRIC BAG

